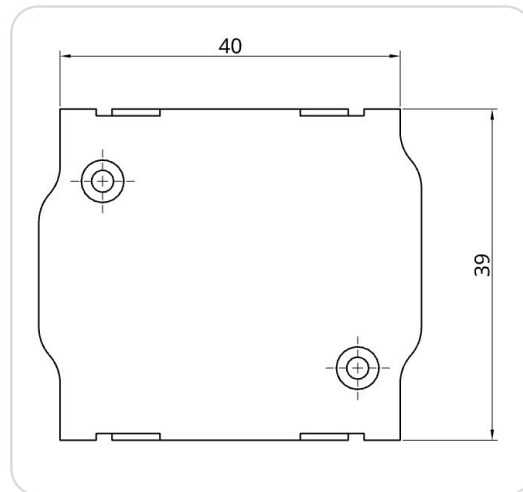


# TQ KRT2 DS - BLE Bluetooth Adapter

## vfrNav EXPERIMENTAL



Bluetooth Low Energy Adapter (BLE) for a TQ KRT2 VHF transceiver (aviation radio). The adapter is compatible with radios of the following type series:

- KRT2-S
- KRT2-F
- KRT2-P

The adapter was developed as an interface for the TQ KRT2 for compatible navigation apps (e.g., vfrNav) and works together with an EFIS. It enables data transfer between the navigation app and the radio hardware (BLE ↔ RS-232). The adapter is simply plugged between the existing wiring and the radio and is held securely to the housing thanks to the Conec latch system.

An additional power supply is not required. The adapter can be operated with 12 V and 24 V onboard voltage. An internal mini-fuse (125 mA) is integrated in the housing.

The power supply is protected against reverse polarity and short-circuit-proof. **No further electrical or mechanical work necessary!**

### IMPORTANT

This is a prototype for exclusively experimental use!

## 1 Radio Configuration

No further configuration of the radio is required.

## 2 Connector Pin Assignment

This is an excerpt from the TQ installation manual:

### IMPORTANT

Pin 13 of the connector serves as data input from the EFIS.

### 6.9.2 Connector Pin-Configuration

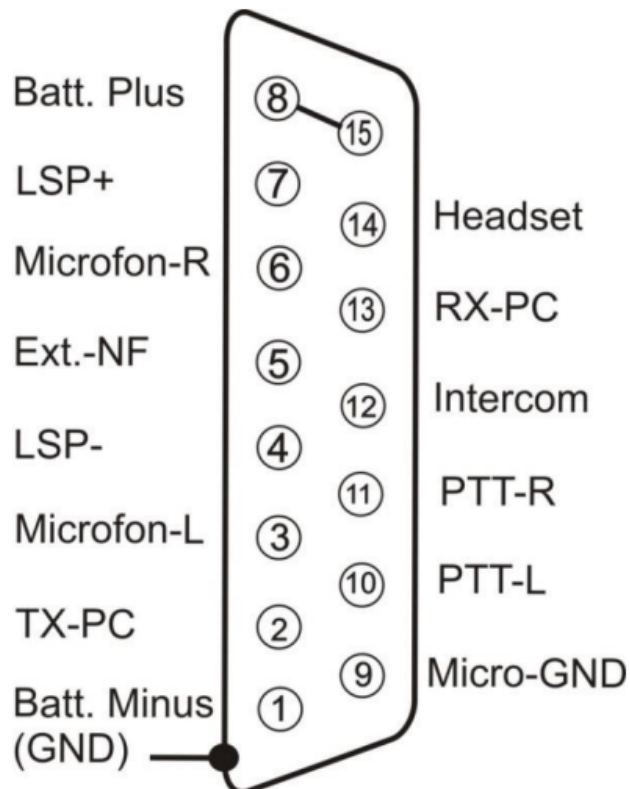


Figure 7: Connector pinout

Figure 1 · KRT2 DS Connector Pin Assignment

### 3 Configuration in vfrNav

#### IMPORTANT

##### Do not pair the SD-Link in the Bluetooth settings

The SD-Link adapter is a Bluetooth Low Energy (BLE) device. BLE devices are not paired via the Bluetooth settings of your tablet or phone like regular Bluetooth devices such as headsets or speakers.

Therefore, please do not open the Bluetooth settings of iOS, Android or Windows to search for or pair the SD-Link there.

The connection to the SD-Link is set up exclusively within the navigation app itself, e.g. in SkyDemon, Sky-Map, VFRnav, EasyVFR or another supported app. Pairing at operating-system level is not required and can even prevent the connection.

Regular Bluetooth devices such as headsets, intercoms or speakers can still be used in parallel. They are paired via the operating system as usual. The SD-Link, however, is addressed directly by the navigation app.

**If the SD-Link has already been paired in the Bluetooth settings:** Please remove the SD-Link completely from the Bluetooth device list of your tablet or phone. Do not pair it again via the operating system afterwards; instead, set it up again exclusively within the navigation app.

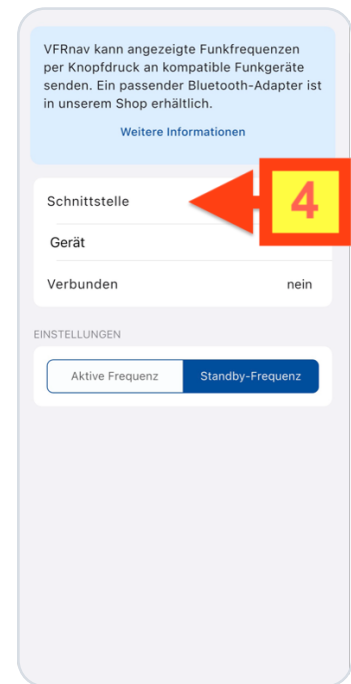
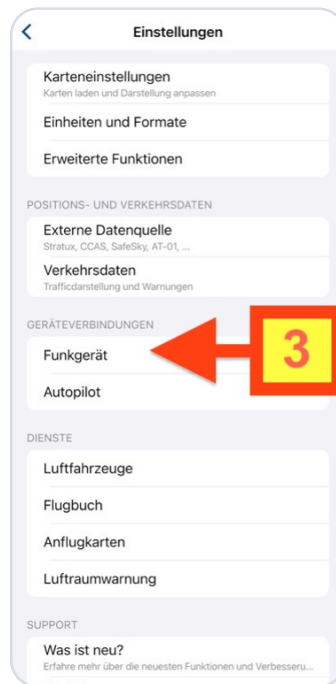
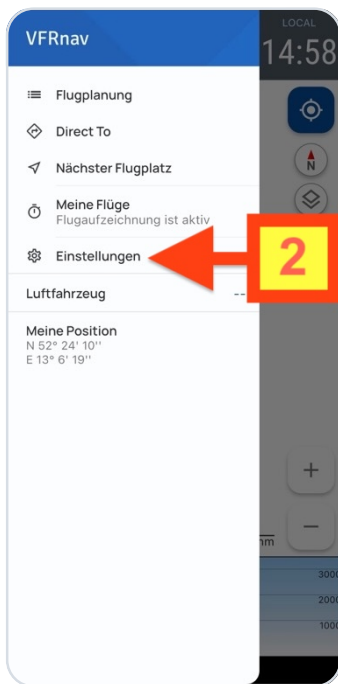
#### REMEMBER

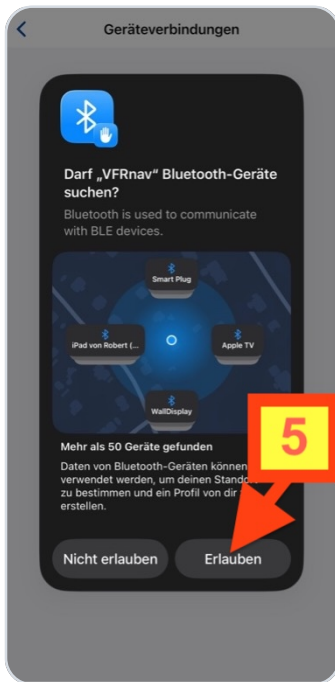
**Do not pair the SD-Link in the operating system.**

**Always set up the SD-Link directly in the navigation app.**



- Switch on aircraft power, turn on the radio.
- Enable Bluetooth on your phone/tablet.
- Start vfrNav.
  - ① Open menu
  - ② Open settings menu
  - ③ Under Device connections → Radio
  - ④ Select interface

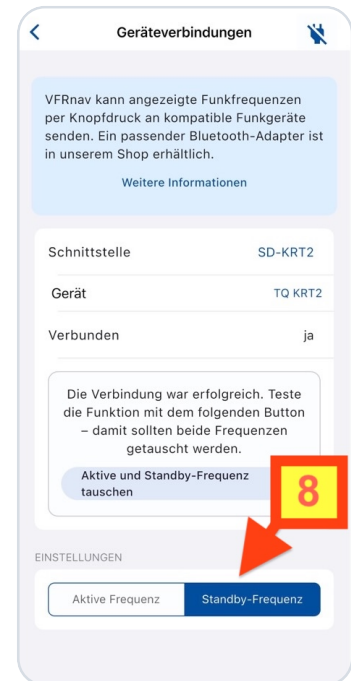
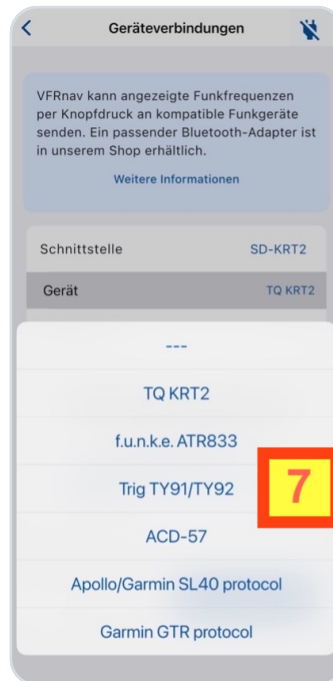
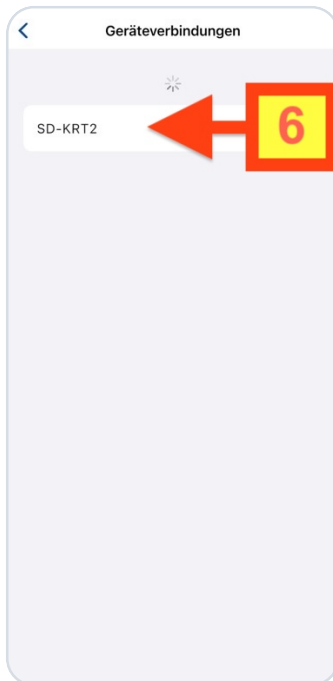




- ⑤ Enable Bluetooth if necessary
- ⑥ Select the name of the found adapter: **SD-KRT2**
- ⑦ If the protocol was not automatically detected, please adjust it under „Gerät" anpassen.
- ⑧ In the connection settings, specify whether the frequency should be transmitted to the radio immediately as active or as standby.

**IMPORTANT NOTICE**

Check under „Verbunden": It should say „ja" stehen.



## 4 Contact

If you have any questions, problems or feedback, please feel free to contact us:

### LayCom Vision GmbH – SD-Link

Michael Hoffmann

Chausseestr. 46  
D-15518 Rauen, Germany

E-Mail [info@sdlink.de](mailto:info@sdlink.de)

Phone **+49 3361 710253**

Web [www.sdlink.de](http://www.sdlink.de)

