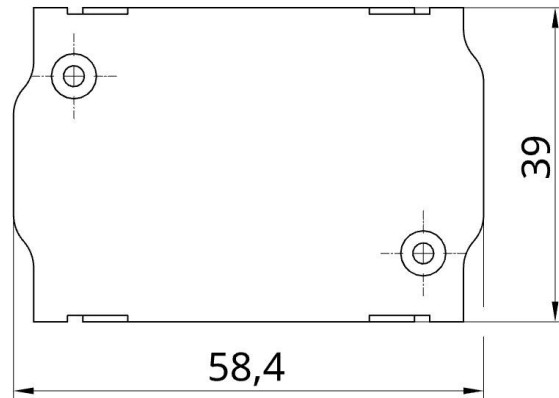


f.u.n.k.e ATR833 - Adapter BLE Bluetooth

SkyDemon (SD) EXPERIMENTAL



Bluetooth Low Energy Adapter (BLE) for f.u.n.k.e ATR833 VHF Transceiver (Aviation Radio)

The adapter is compatible with the following models: ATR833, ATR833S, ATR833A, ATR833-II, ATR833A-II. It was developed as an interface between an ATR833 and the SkyDemon (SD) navigation software. It facilitates data transfer between the navigation software (SD) and the radio hardware via BLE <-> RS-232. The adapter is **simply plugged between the existing wiring and the radio** and securely fastens to the housing using the Molex Spring Lock system.

An additional power supply is not required. The adapter operates on 12 V and 24 V board voltage. An internal mini-fuse (125 mA) is integrated into the housing. The power supply is protected against reverse polarity and short circuits.

No further electrical or mechanical work required!

Please note: This is a prototype for experimental use only!

1. Radio Configuration

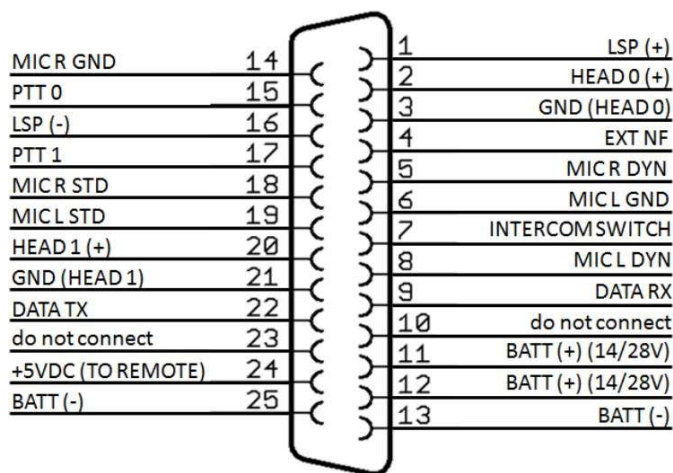
No additional configuration on the radio is required.

2. Connector Pinout

This is an excerpt from the f.u.n.k.e installation manual:

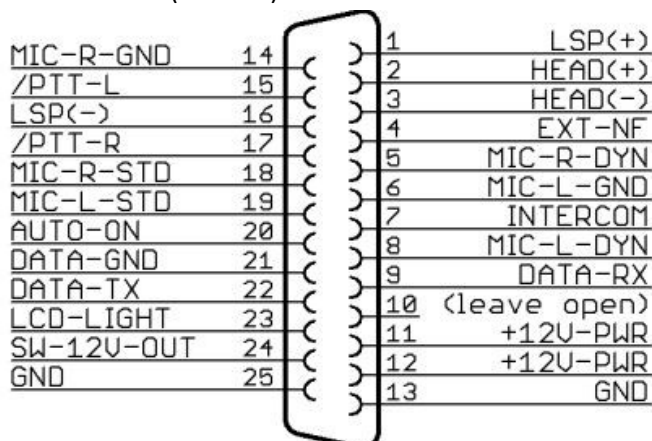
New Version (ATR833-II)

4.7.2 Connector – Pin Allocation



D-SUB Connector 25 Pin Female
seen from solder side

Old Version (ATR833)



D-SUB Connector Female
seen from solder side

Pin 9 of the outgoing connector provides V24 data for connecting additional devices (Multi-Drop). This PnP solution allows further hardware control by tapping the signal at Pin 9 and routing it to an autopilot, AV-30, or other compatible devices.

Pin	Names	Functionality
1	LSP(+)	Output external Loudspeaker Positive
2	HEAD-0 (+)	Output Headset-Speaker Positive
3	GND (HEAD-0)	Output Headset-Speaker Negative
4	EXT-NF	Input external Audio-Signal
5	MIC R DYN	Input Microphone Right Dynamic
6	MIC L GND	Input Microphone Left Ground
7	INTERCOM SWITCH	Intercom Activation Switch (connect to ground for Intercom activation)
8	MIC L DYN	Input Microphone Left Dynamic
9	DATA-RX	RS232 Receive (for Remote Control)
10	do not connect	Pin 10 is used by adapters for device identification
11	+14 / +28V-PWR	Input Power Supply +12V
12	+14 / +28V-PWR	Input Power Supply +12V
13	BATT (-)	Ground Side of Power Supply
14	MIC R GND	Input Microphone Right Ground
15	PTT-0	Push-to-Talk 0 (connect to ground for transmitting)
16	LSP(-)	Output external Loudspeaker Negative (Not identical to ground!)
17	PTT-1	Push-to-Talk 1 (connect to ground for transmitting)
18	MIC R STD	Input Microphone Right (Headset 1)
19	MIC L STD	Input Microphone Left (Headset 0)
20	HEAD 1 (+)	Output 1 Headset-Speaker Positive
21	GND (HEAD 1)	Output 1 Headset-Speaker Negative
22	DATA-TX	RS232 TX (for Remote Control)
23	N/A	do not connect
24	+5VDC OUT	5VDC Power Supply for Remote Control
25	BATT (-)	Ground Side of Power Supply

3. Contact Information

For issues, questions, feedback, or positive experiences, please contact:

LayCom Vision GmbH - SD-Link

Michael Hoffmann

Chausseestr. 46

D-15518 Rauen

Germany

Email: info@sdlink.de

Phone: +49 3361 710253

